



CD Alarm Check Valve



TECHNICAL DATA		
Part No.	SAV-CD-100 (Alarm Valve) SAG-CD (Alarm Gong)	SAV-CD-150 (Alarm Valve) SAG-CD (Alarm Gong)
Size (mm)	100mm (4")	150mm (6")
Standard	UL 193 Alarm Valves for Fire Protection Service	
Material	Cast Iron ASTM A48 Class No. 35	
Rated Pressure	175 psi	
Test Pressure	350 psi	
Marking	UL Listed 3558 Co A 175 psi 4/6 Alarm Check Valve	
Flange Dimension	ANSI B16.1 Class 125 / ANSI B 16.5 Class 150	
Installation	Vertical 1/2" NPT (PT) Thread Female Inlet 3/4" NPT (PT) Thread Female Outlet 1/2" NPT (PT) Thread Female Drain	

VIKING Alarm Check Valve (Model J-1)



TECHNICAL DATA			
Part No.	SAV-VK-100 (Alarm Valve) SAG-VK(Alarm Gong)	SAV-VK-150 (Alarm Valve) SAG-VK(Alarm Gong)	SAV-VK-200 (Alarm Valve) SAG-VK(Alarm Gong)
Size	100mm (4")	150mm (6")	200mm (8")
Friction Loss (equivalent length)	4.0m	6.0m	7.0m
Working Pressure	12 bar(175psi)		
Hydrostatics Test Pressure	24 bar(350psi)		
Flange Connections	ANSI B16.42 Class 150		

All specifications and information indicated in this catalogue are subjected to change without prior notice.

UNIQUE FIRE INDUSTRY SDN BHD Co. No. 418731-U

No. 9, Jalan Anggerik Mokara 31/55, Kota Kemuning, Seksyen 31, 40460, Shah Alam, Selangor, Malaysia
 T: +603 5131 1226 F: +603 5131 3326 (Account) F: +603 5131 3826 (Sales) F: +603 5131 2731 (Sales)
 F: +603 5131 1863 (Counter Sales) E: enquiry@uniquefire.com W: www.uniquefire.com

CD Conventional Sprinkler



TECHNICAL DATA	
Part No.	SHC-C-68C-15
Size (NPT)	15mm (1/2")
Type	Standard Response
Bulb	5mm
Activation Temperature	68 °C
K-Factor	5.6 (80.6)
Finishing	Chrome Finished
Working Pressure	12 bar (175 psi)

CD Pendent Sprinkler



TECHNICAL DATA	
Part No.	SHC-P-68C-15
Size (NPT)	15mm (1/2")
Type	Standard Response
Bulb	5mm
Activation Temperature	68 °C
K-Factor	5.6 (80.6)
Finishing	Chrome Finished
Working Pressure	12 bar (175 psi)

CD Upright Sprinkler



TECHNICAL DATA	
Part No.	SHC-U-68C-15
Size (NPT)	15mm (1/2")
Type	Standard Response
Bulb	5mm
Activation Temperature	68 °C
K-Factor	5.6 (80.6)
Finishing	Chrome Finished
Working Pressure	12 bar (175 psi)

CD Horizontal Side Wall



TECHNICAL DATA	
Part No.	SHC-S-68C-15
Size (NPT)	15mm (1/2")
Type	Standard Response
Bulb	5mm
Activation Temperature	68 °C
K-Factor	5.6 (80.6)
Finishing	Chrome Finished
Working Pressure	12 bar (175 psi)

All specifications and information indicated in this catalogue are subjected to change without prior notice.

VIKING Conventional Sprinkler



TECHNICAL DATA	
Part No.	SHV-C-68C-15
SIN No.	VK 118
Size (NPT)	15mm (1/2")
Type	Standard Response
Bulb	5mm
Activation Temperature	68 °C
K-Factor	5.6 (80.6)
Finishing	Chrome Finished
Working Pressure	12 bar (175 psi)

VIKING Pendent Sprinkler



TECHNICAL DATA	
Part No.	SHV-P-68C-15
SIN No.	VK 102
Size (NPT)	15mm (1/2")
Type	Standard Response
Bulb	5mm
Activation Temperature	68 °C
K-Factor	5.6 (80.6)
Finishing	Chrome Finished
Working Pressure	12 bar (175 psi)

VIKING Upright Sprinkler



TECHNICAL DATA	
Part No.	SHV-U-68C-15
SIN No.	VK 100
Size (NPT)	15mm (1/2")
Type	Standard Response
Bulb	5mm
Activation Temperature	68 °C
K-Factor	5.6 (80.6)
Finishing	Chrome Finished
Working Pressure	12 bar (175 psi)

VIKING Horizontal Side Wall



TECHNICAL DATA	
Part No.	SHV-S-68C-15
SIN No.	VK 104
Size (NPT)	15mm (1/2")
Type	Standard Response
Bulb	5mm
Activation Temperature	68 °C
K-Factor	5.6 (80.6)
Finishing	Chrome Finished
Working Pressure	12 bar (175 psi)

All specifications and information indicated in this catalogue are subjected to change without prior notice.

CD Concealed Pendent Sprinkler



TECHNICAL DATA	
Part No.	SHC-CH-15 (Concealed Sprinkler)
	SHC-CC-15 (White Cover Plate)
Size (NPT)	15mm (1/2")
Type	Standard Response
Bulb	5mm
Activation Temperature	68 °C
K-Factor	5.6 (80.6)
Finishing	Chromed Finished
Working Pressure	12 bar (175 psi)

VIKING Concealed Pendent Sprinkler



TECHNICAL DATA		
Part No.	SHV-CCH20034AB-SR-68C-15 (Concealed Pendent)	Standard Response
	SHV-CCF-13504-57W-15 (White Cover Plate)	
	SHV-CCH13503-68C-15 (Concealed Pendent)	Quick Response
	SHV-CCF-13504-57W-15 (White Cover Plate)	
Sin	VK 492 (Standard Response)	
	VK 462 (Quick Response)	
Size (NPT)	15mm (1/2")	
Type	Standard Response & Quick Response	
Bulb	5mm	
Activation Temperature	68 °C	
K-Factor	5.6 (80.6)	
Finishing	White	
Working Pressure	12 bar (175 psi)	

All specifications and information indicated in this catalogue are subjected to change without prior notice.

HD Medium Velocity Water Spray Nozzle



TECHNICAL DATA		
Model No.	MV-A without Strainer , MV-AS with Strainer	
Code No.	SSN-SNI-15	
Max. Working Pressure	12 bar (175 psi)	
Effective Working Pressure	1.4 to 3.5 bar (20 to 50 psi)	
End Connection	1/2" BSPT (1/2" NPT Optional)	
Included Water Spray Angle for Each K-factor	65°, 80°, 90°, 100°, 110°, 120° and 140°	
K-Factor	Metric	US
	K-22	1.54
	K-30	2.10
	K-35	2.45
	K-41	2.87
	K-51	3.57
	K-64	4.48
	K-79	5.53
	K-91	6.37
K-102	7.14	
Weight	0.115 kg (approx.)	
Finishing	Brass or Nickle Plated & Chrome Plated	
Approval	UL Listed	
Ordering Information	Specify K-Factor, spray angle, finish, model and end connection.	
CONSTRUCTION MATERIAL		
Component	Model MV-A	Model MV-AS
Housing	Forged Brass, IS:291, GR.-1 (Equivalent to ASTM B21)	Forged Brass, IS:291, GR.-1 (Equivalent to ASTM B21)
Pin	Brass, IS:291, GR.-1 (Equivalent to ASTM B21)	Brass, IS:291, GR.-1 (Equivalent to ASTM B21)
Deflector	Brass, IS:2768 (Equivalent to ASTM B36)	Brass, IS:276 (Equivalent to ASTM B36)
Strainer	N/a	Copper

All specifications and information indicated in this catalogue are subjected to change without prior notice.

UNIQUE FIRE INDUSTRY SDN BHD Co. No. 418731-U

No. 9, Jalan Anggerik Mokara 31/55, Kota Kemuning, Seksyen 31, 40460, Shah Alam, Selangor, Malaysia
 T: +603 5131 1226 F: +603 5131 3326 (Account) F: +603 5131 3826 (Sales) F: +603 5131 2731 (Sales)
 F: +603 5131 1863 (Counter Sales) E: enquiry@uniquefire.com W: www.uniquefire.com

Sprinkler Guard



TECHNICAL DATA	
Part No.	SR-SG
Size	15mm (1/2")
Material	Mild Steel
Finishing	Chrome Plated

Recessed Sprinkler Rosette



TECHNICAL DATA	
Part No.	SR2-CH
Size	15mm (1/2")
Material	Mild Steel
Finishing	Chrome Plated

Plain Sprinkler Rosette



TECHNICAL DATA		
Part No.	SR-CH-15	SR-CH-20
Size (mm)	15mm (1/2")	20mm (3/4")
Material	Mild Steel / Stainless Steel	
Finishing	Chrome Plated	

Sprinkler Box



TECHNICAL DATA	
Part No.	CAB-SB-15 & CAB-SB-20
Size (mm)	355 (W) x 110 (D) x 180 (H)
No. of Sprinklers	24 units
Material	Mild Steel
Finishing	Epoxy Powder Red

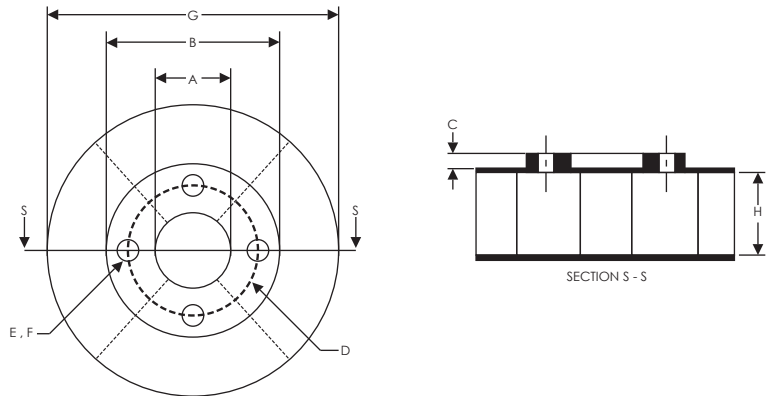
All specifications and information indicated in this catalogue are subjected to change without prior notice.

Sprinkler System Flow Meter



TECHNICAL DATA			
Part No.		Type	Orifice Size(mm)
Flow Meter	Gauge		
SFM-XLH	SFM-XLH	XLH	21.0/18.5
SFM-OH1	SFM-OH1	OH1	31.0
SFM-OH2	SFM-OH2	OH2	40.0
SFM-OH3	SFM-OH3	OH3	43.0
SFM-OH3S	SFM-OH3S	OH4	50.0
SFM-XHH-7.5	SFM-XHH-7.5	XHH 7.5mm/min	58.5
SFM-XHH-10	SFM-XHH-10	XHH 10mm/min	62.0

Vortex Inhibitor



TECHNICAL DATA												
Material	Mild Steel											
Finishing	Galvanised Coating											
Code No.	Size (B.S 10 Table E Flanges)											
	Internal Diameter		External Diameter		Flange Thickness	Bolt Circle Diameter		Diameter of Bolt		No. of Holes	External Plate Diameter	Height
	(A)		(B)		(C)	(D)		(E)		(F)	(G)	(H)
	Approximately											
	mm	inch	mm	inch	mm	mm	inch	mm	inch	nos	mm	mm
SVI-050	50	2"	152	6"	14.3	114	4-1/2"	16	5/8"	4	272	76
SVI-065	65	2 1/2"	165	6-1/2"	14.3	127	5"	16	5/8"	4	272	76
SVI-080	80	3"	184	7-1/4"	14.3	146	5-3/4"	16	5/8"	4	319	76
SVI-100	100	4"	216	8-1/2"	16	178	7"	16	5/8"	8	380	100
SVI-150	150	6"	279	11"	17.5	235	9-1/4"	19	3/4"	8	468	100
SVI-200	200	8"	336	13-1/4"	19	292	11-1/2"	19	3/4"	8	502	100
SVI-250	250	10"	406	16"	22.2	355.6	14"	19	3/4"	12	587	100
SVI-300	300	12"	578	22-3/4"	25	406	16"	22.5	7/8"	12	637	100

All specifications and information indicated in this catalogue are subjected to change without prior notice.

UNIQUE FIRE INDUSTRY SDN BHD Co. No. 418731-U

No. 9, Jalan Anggerik Mokara 31/55, Kota Kemuning, Seksyen 31, 40460, Shah Alam, Selangor, Malaysia
 T: +603 5131 1226 F: +603 5131 3326 (Account) F: +603 5131 3826 (Sales) F: +603 5131 2731 (Sales)
 F: +603 5131 1863 (Counter Sales) E: enquiry@uniquefire.com W: www.uniquefire.com

PLATON Shunt Orifice Flow Meter



TECHNICAL DATA					
Model	SGUV Mark 1				
Part No.	SPFM-100		SPFM-150		
Size	100		150		
Orifice Plate	Stainless Steel mounted in a 25mm thick, polyester coated carrier ring				
Indicator Housing	Die-cast aluminium with white polyester coating and perspex window				
Accuracy	±2.5% FSD				
Impulse Pipe	Copper with plated brass fittings				
Tube	100mm scaled borosilicate glass				
Float	Stainless Steel				
'O' seals	Nitrile				
Filter Unit	No				
Flow Range	30-1,500 m³/h (air @ ATP) 2-100 m³/h (water @ 20°C)				
Pressure Test	250 psi				
Pressure Drop	At maximum flow rate 65% of the orifice loss of 354"WG is recovered				
STANDARD FLOW RANGES					
Pipe Size		Water (m³/h) 20°C		Air (m³/h) ATP 20°C 760 Torr	
		Pressure Drop mbar		Pressure Drop mbar	
mm	in.	10 - 250	10 - 63	2.5 - 63	2.5 - 14
32	1-1/4	2 - 10	2 - 5	30 - 150	30 - 75
40	1-1/2	3 - 15	3 - 7.5	40 - 200	40 - 100
50	2	5 - 25	5 - 12.5	80 - 400	80 - 200
65	2-1/2	8 - 40	8 - 20	120 - 600	120 - 300
80	3	10 - 50	10 - 25	180 - 900	180 - 450
100	4	20 - 100	20 - 50	300 - 1500	300 - 750
125	5	30 - 150	30 - 75	480 - 2400	480 - 1200
150	6	40 - 200	40 - 100	720 - 3600	720 - 1800
200	8	80 - 400	80 - 200	1200 - 6000	1200 - 3000



All specifications and information indicated in this catalogue are subjected to change without prior notice.

UNIQUE FIRE INDUSTRY SDN BHD Co. No. 418731-U

No. 9, Jalan Anggerik Mokara 31/55, Kota Kemuning, Seksyen 31, 40460, Shah Alam, Selangor, Malaysia
 T: +603 5131 1226 F: +603 5131 3326 (Account) F: +603 5131 3826 (Sales) F: +603 5131 2731 (Sales)
 F: +603 5131 1863 (Counter Sales) E: enquiry@uniquefire.com W: www.uniquefire.com

PLATON Fire Sprinkler Flow Meter



TECHNICAL DATA							
Model	SGUV Mark 2						
Part No.	SPFM-100-F			SPFM-150-F			
Size (mm)	100			150			
Orifice Plate	Stainless Steel mounted in a 38mm thick, red polyester coated steel carrier ring						
Measuring Tube	Borosilicate glass with 100mm fused-in ceramic scale						
Float	Stainless Steel						
Accuracy	±5% at various test flows specified by LPCB						
'O' Seals	Nitrile						
Indicator Housing	Die-cast aluminium with white polyester coating, black bezel and perspex window						
Impulse Pipe	Bright nickel plated copper with plated brass connections						
Filter Unit	316 Stainless Steel element with 1.5mm perforations, TPX tube, plated brass connections and nitrile 'O' seals						
Flow Range	150-12,500 dm ³ /min						
Pressure Limitation	12 bar g @ 20°C						
Pressure Test	30 bar hydraulic						
Pressure Drop	At max flow rate 65% of the orifice pressure loss of 354"WG is recovered						
Standard Flow Ranges							
Flanged		Grooved		Nominal Pipe Size (mm)	Flow Ranges (dm ³ /min)	Test Flows (dm ³ /min)	Test Flows Accuracy (dm ³ /min)
LPCB	PLATON	LPCB	PLATON				
088a/5	F1/5	088a/10	F1/10	50	150 - 750	500	± 25
						800	± 40
088a/6	F1/6	088a/11	F1/11	80	300 - 2300	1300	± 65
						1500	± 75
088a/7	F1/7	088a/12	F1/12	100	500 - 3500	2200	± 110
						2500	± 125
						3500	± 175
088a/8	F1/8	088a/13	F1/13	150	900 - 8200	4500	± 225
						5000	± 250
088a/9	F1/9	088a/14	F1/14	200	2500 - 12500	7000	± 350
						9000	± 450

All specifications and information indicated in this catalogue are subjected to change without prior notice.

UNIQUE FIRE INDUSTRY SDN BHD Co. No. 418731-U

No. 9, Jalan Anggerik Mokara 31/55, Kota Kemuning, Seksyen 31, 40460, Shah Alam, Selangor, Malaysia
 T: +603 5131 1226 F: +603 5131 3326 (Account) F: +603 5131 3826 (Sales) F: +603 5131 2731 (Sales)
 F: +603 5131 1863 (Counter Sales) E: enquiry@uniquefire.com W: www.uniquefire.com

UNIQUE Control Pressure Switch (Single Type)



TECHNICAL DATA										
Model No.	Part No.	Use	Pressure Range (bar)		Differential Pressure (bar)		Factory Setting Pressure (bar)		Max. Bellows Pressure (kgf/cm ²)	Weight (kg)
			Min	Max	Min	Max	On	Off		
GP-106	SPU-06B	Hose Reel Pump	0	6	0.6	4	2	3	11	0.42
GP-110	SPU-10B	Sprinkler Pump	1	10	1	3	4	6	16.5	
GP-120	SPU-20B	Wet Riser & Hydrant Pump	5	20	3	5	15	12	16.5	
GP-130	SPU-30B	Hydrant Pump over 20 bar	5	30	3	10	20	15	40	

Note:

- Allowable fluid temperature : -10°C to 120°C
- Micro switch ensures reliable switching
- In-built SPDT contact mechanism

UNIQUE Water Flow Switch



TECHNICAL DATA	
Model No.	HFS-25
Part No.	SPU-FS
Size (NPT)	1"
Operating Pressure	10 bar
Max Temperature	100°C
Electric Amps	15 Amps 250Vac
Switch Acting	SPDT
Paddle	Stainless Steel
Bellows Life	50k Cycles
Cover	ABS, SUS, Mild Steel
Min. Flow Rate	8 L/min
Ingress Protection	IP45

All specifications and information indicated in this catalogue are subjected to change without prior notice.

UNIQUE FIRE INDUSTRY SDN BHD Co. No. 418731-U

No. 9, Jalan Anggerik Mokara 31/55, Kota Kemuning, Seksyen 31, 40460, Shah Alam, Selangor, Malaysia
 T: +603 5131 1226 F: +603 5131 3326 (Account) F: +603 5131 3826 (Sales) F: +603 5131 2731 (Sales)
 F: +603 5131 1863 (Counter Sales) E: enquiry@uniquefire.com W: www.uniquefire.com

SYSTEM SENSOR Water Flow Detector



TECHNICAL DATA						
Model No.	WFD20	WFD25	WFD30-2	WFD40	WFD60	WFD80
Part No.	SWD-050	SWD-065	SWD-080	SWD-100	SWD-150	SWD-200
Size	2"	2 1/2"	3"	4"	6"	8"
Static Pressure Rating	450 psi					
Operating Temperature	0° to 49°C					
Compatible Pipe	Steel water pipe, Sch 10 to 40					
Enclosure Rating	NEMA 4 - Suitable for indoor/outdoor use					

SYSTEM SENSOR Supervisory Switch



OSY2



PIBV2



TECHNICAL DATA	
Model No.	OSY2
Part No.	SWD-OSY
Description	Outside Screw and Yoke Valve Supervisory Switch
Overall Switch Dimension	146mm(H) x 89mm(W) x 82mm(D)
Bracket Span	57mm(H) x 171mm(W) x 25mm(D)
Operating Temperature Range	0° to 49°C
Enclosure Rating	NEMA 3R mounted with the actuator vertical

TECHNICAL DATA	
Part No.	PIBV2
Overall Switch Dimension	108mm(H) x 89mm(W) x 82mm(D)
Mounting	1/2" NPT Nipple
Operating Temperature Range	-40°C to 49°C
Enclosure Rating	NEMA 3R mounted with the actuator vertical

* It can be used for indoor and outdoor

SYSTEM SENSOR Alarm Pressure Switch



TECHNICAL DATA		
Model No.	EPS 10-1	EPS 10-2
Part No.	SWD-APS-10-1	SWD-APS-10-2
Maximum Operating Pressure	250 psi	
Maximum Adjustment Pressure	4-20 psi	
Factory Setting	Operates at rising pressure 4 to 8 psi	
Dimension	130mm(H) x 84mm(W) x 108mm(L)	
Operating Temperature Range	-40°C to 71°C	
Enclosure Rating	NEMA 4 for indoor and outdoor use	

All specifications and information indicated in this catalogue are subjected to change without prior notice.