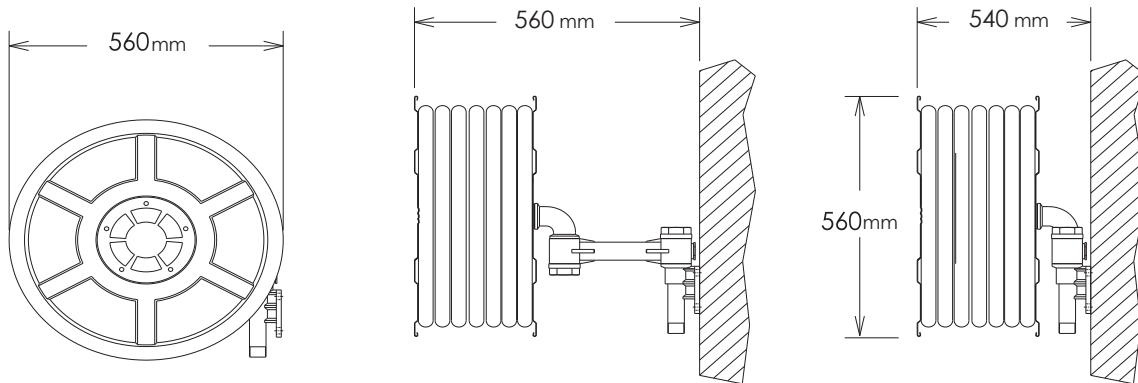




Fire Hose Reel



TECHNICAL DATA

Part No.	HRU-DR-25 (Drum) HRU-HO-25 (Hose) HRU-NOZ-NY-25 (Nylon Nozzle) HRU-NOZ-AB-25 (ABS Brass Nozzle) HRU-NOZ-BR-25 (Chrome Nozzle)
	HRU-CL-25 (Clip)
Drum Size	560 mm(22")
Type	Swing Manual
Finishing	Epoxy Powder Red
Hose Diameter	25 mm
Hose Length	30 m
Working Pressure	12 bar (174psi)
Test Pressure	20 bar (290psi)
Nozzle Type	Jet / Spray / Shut-Off
Nozzle Size	25 mm



SIRM
Certified To:
MS1447 : PART 1 : 2006
Certification No : PC001032

All specifications and information indicated in this catalogue are subjected to change without prior notice.

UNIQUE FIRE INDUSTRY SDN BHD Co. No. 418731-U

No. 9, Jalan Anggerik Mokara 31/55, Kota Kemuning, Seksyen 31, 40460, Shah Alam, Selangor, Malaysia
T: +603 5131 1226 F: +603 5131 3326 (Account) F: +603 5131 3826 (Sales) F: +603 5131 2731 (Sales)
F: +603 5131 1863 (Counter Sales) E: enquiry@uniquefire.com W: www.uniquefire.com

Fire Hose Reel Drum



TECHNICAL DATA	
Part No.	HRU-DR-25
Diameter	560 mm(22")
Type	Swing Manual
Material	Cold Roll Steel
Finishing	Epoxy Powder Red

Fire Hose Reel Hose



TECHNICAL DATA	
Part No.	HRU-HO-25
Size	25 mm
Length	30 m
Working Pressure	12 bar (174psi)
Test Pressure	18 bar (261psi)
Material	PVC Semi Rigid
Finishing	Black
Standard	Comply to EN 694

Fire Hose Reel Nozzle



Nylon

Chrome
Brass

ABS
Brass

TECHNICAL DATA			
Part No.	HRU-NOZ-NY-25	HRU-NOZ-BR-25	HRU-NOZ-AB-25
Material	Nylon	Chrome Brass	ABS Brass
Type	Jet / Spray / Shut-Off		
Finishing	Red	Chrome	Plated
Spray Range	10m (approx.)		
Flow Rate @ 2.0 bar	33 L/min	26.6 L/min	35.7 L/min
Throw Range	13.5 m	10.8 m	11.2 m

All specifications and information indicated in this catalogue are subjected to change without prior notice.

Fire Hose Reel Nozzle Box



TECHNICAL DATA	
Part No.	CAB-NB
Size	120mm (W) x 120mm (H) x 60mm (D)
Type	Wall Mounted
Material	Aluminium
Thickness	2.5 mm
Finishing	Epoxy Powder Red

Fire Hose Reel Cabinet (Wall Mounted)



TECHNICAL DATA	
Part No.	CAB-HR
Size	750mm(W) x 365mm(D) x 750mm(H)
Type	Wall Mounted
Material	Mild Steel
Thickness	0.9 mm
Finishing	Epoxy Powder Red

Air Release Valve



TECHNICAL DATA	
Part No.	WRU-ARV
Size	25mm (1")
Material	Copper Alloy
Finishing	Natural
Working Pressure	15 bar (max)
Test Pressure	20 bar

Fire Hose Clip



TECHNICAL DATA	
Part No.	HRU-CL-25
Size	25mm - 35mm
Material	Mild Steel
Finishing	Galvanised

All specifications and information indicated in this catalogue are subjected to change without prior notice.